

Cabinet KVSGP-0 IP (1E+4S) – Model ENDE

Public Lighting control cabinet, type KVSGP-0

Dimensions 862 x 596 x 322 mm (HxWxD), brand JEAN MÜLLER.

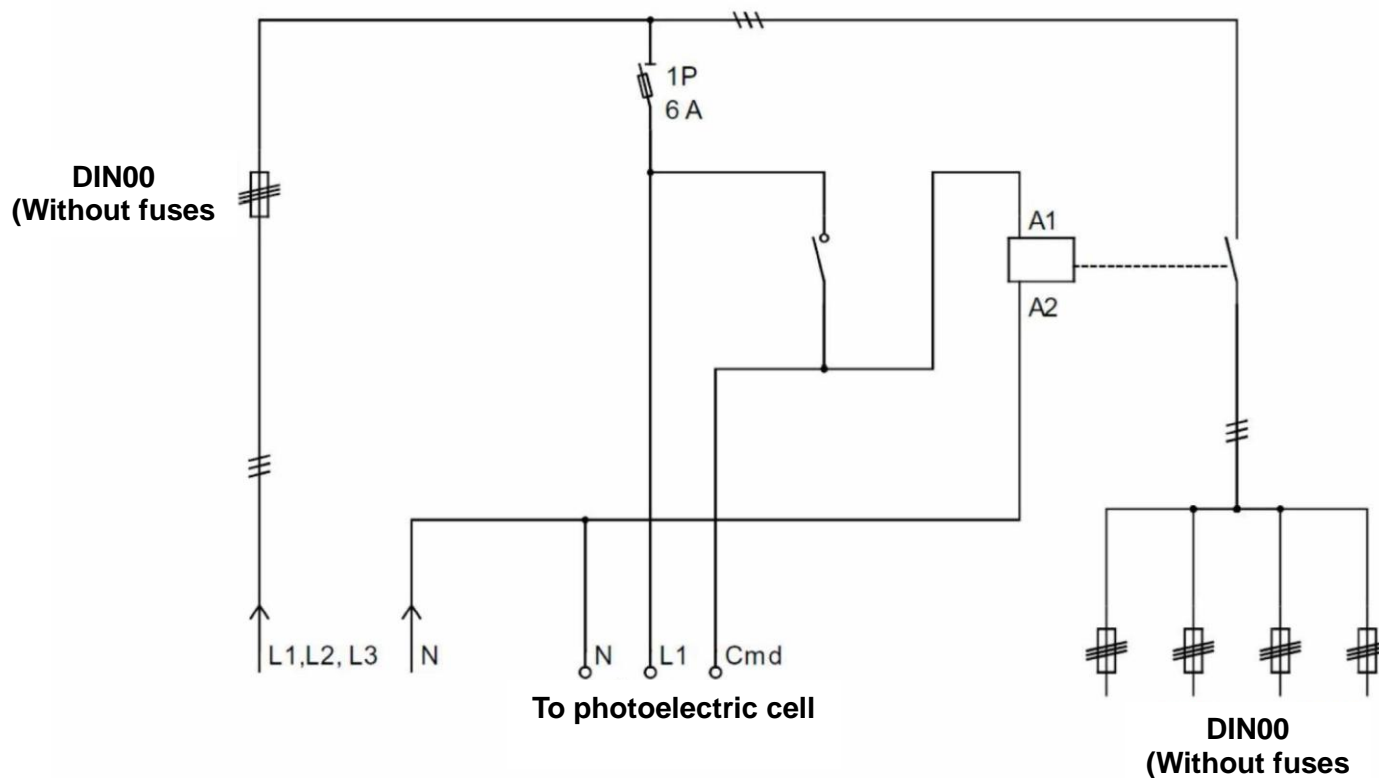
Manufactured from polyester reinforced with fiberglass (SMC), molded by hot compression, colour grey (RAL 7035). The cabinet is ventilated, double insulated, with 180° opening door. Standards NP 60529, DIN 43629 and IEC 439-5, equipped with:

- 1 LV HRC strip-fuseways DIN00/160 A, 185mm, at the input (without fuses)
- 1 Contactor 3x63 A category AC3
- 1 Fuse disconnecter 10x32, control protection (without fuse)
- 1 Modular switch 1x16 A (Aut-Man)
- 4 LV HRC strip-fuseways DIN00/160 A, at outputs (without fuses)
- 1 Cylinder for the lock of the cabinet
- Ground base type FP0, brand JEAN MÜLLER, with the fixing dimensions of 495x160 mm (LxLW, manufactured by SMC process, polyester sheet reinforced with fiberglass 25/100, molded by hot compression, colour grey (RAL 7035)
- *Optional:* - Photoelectric cell;
- Time switch.



Cabinet KVSGP-0 IP (1E+4S) – Model ENDE

Schematic diagram



The power to the cabinet is normally provided from the Substation LB General Board or through distribution cabinets outputs, the outputs of this cabinet will be connected directly to public lighting poles.