

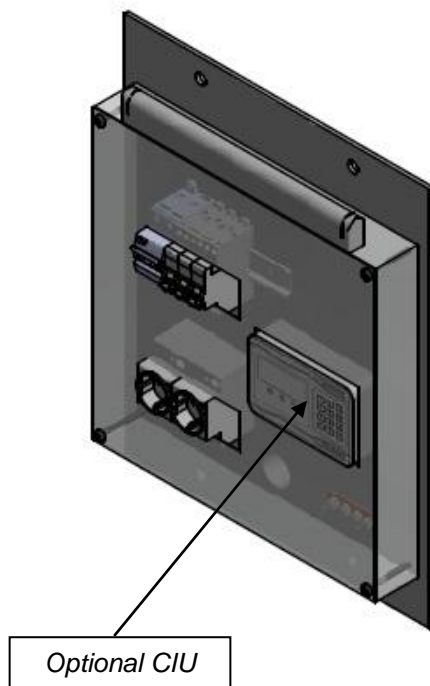
MLC – Customer Connection Module

Equipment kit for single-phase connection of residential customers, urban or traditional construction, fed overhead network.

Adjustable to walls between 150 and 220 mm thick.

They consist of all the necessary equipment for low voltage power supply from the distribution and including the customer main board.

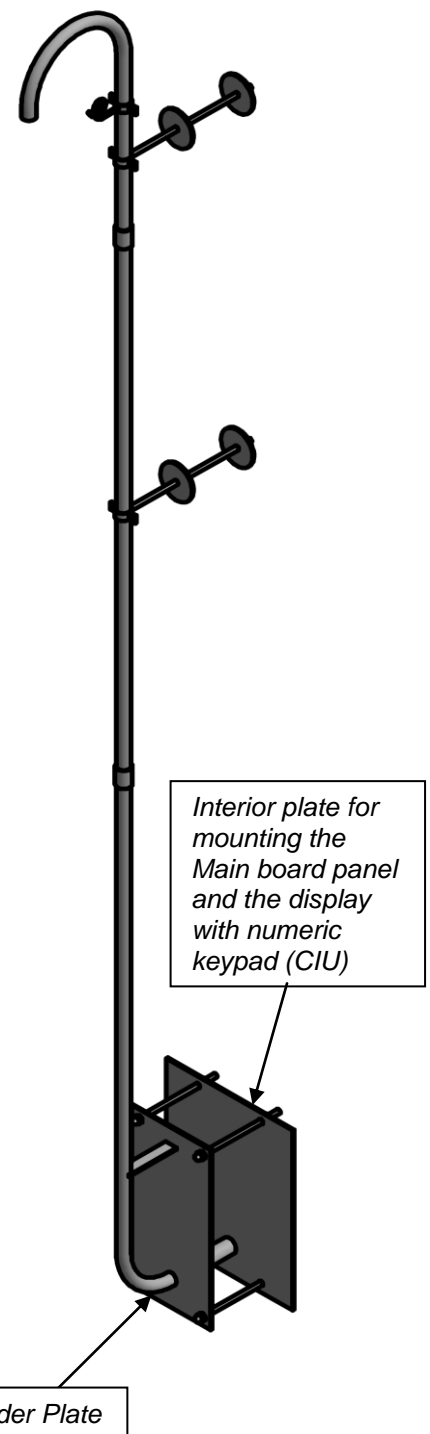
Main Board



OPTIONAL Single-phase Split Prepayment meter (MCU + CIU)



MCU - METERING AND CONTROL UNIT
CIU - CUSTOMER INTERFACE UNIT



MLC – Customer Connection Module

Constitution of the modules:

Equipment	C.U. (*) Qt.	C.T. (**) Qt.
External plate with 500x80 mm with incoming steel tube (*)	1	-
External plate with 500x250 mm with incoming steel tube (**)	-	1
Tube connection	2	2
Steel tube with 1500 mm	1	1
Curved steel tube (Incoming)	1	1
Clamp with pigtail	1	1
Clamps with M12 / 390 Bolt (Wall Mounting)	2	2
Bolts M12x250mm w / harnessed head	2	4
Internal plate with 500x400 mm	1	1
2x4 / 2x16 Dead end clamp (Pole)	2	2
Aerial insulated cable LXS 2x16 mm ²	30	30
Earth measurement terminal	1	1
1.5 m Earth electrode and clamp	2	2
Aluminum cable LXS 1x50 mm ² (meters)	6	6
Customer Main Board, equipped with: - 1 unit Differential Switch 2P 40A 300mA - 1 unit Circuit breaker 1P 10A (lighting) - 2 unit Circuit breakers 1P 16A (sockets) - 2 units Schuko type sockets - 1 unit 4W LED Lighting	1	1
Single-phase Split prepayment meter 230V / 5A (MCU + CIU).	Optional	Optional

(*) C.U. – Urban Construction: Urban houses whose mechanical resistance of the walls is sufficient to support the Plate/Pole in 2 points.



(**) C.T. – Traditional Construction: Small village houses with poor mechanical resistance of the walls, the fixation of the Plate/Pole is assured through 4 points.

